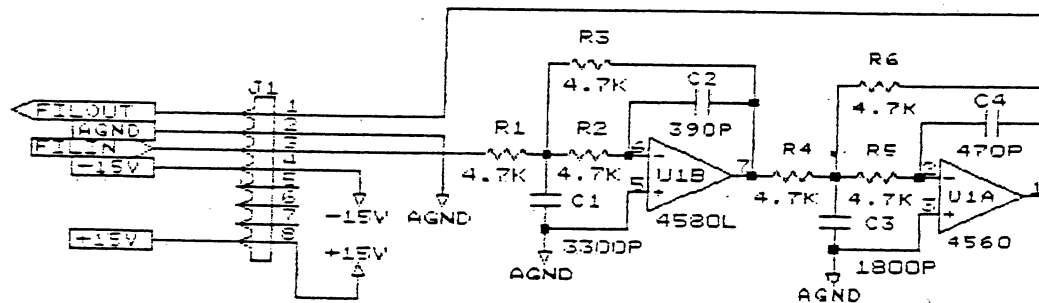
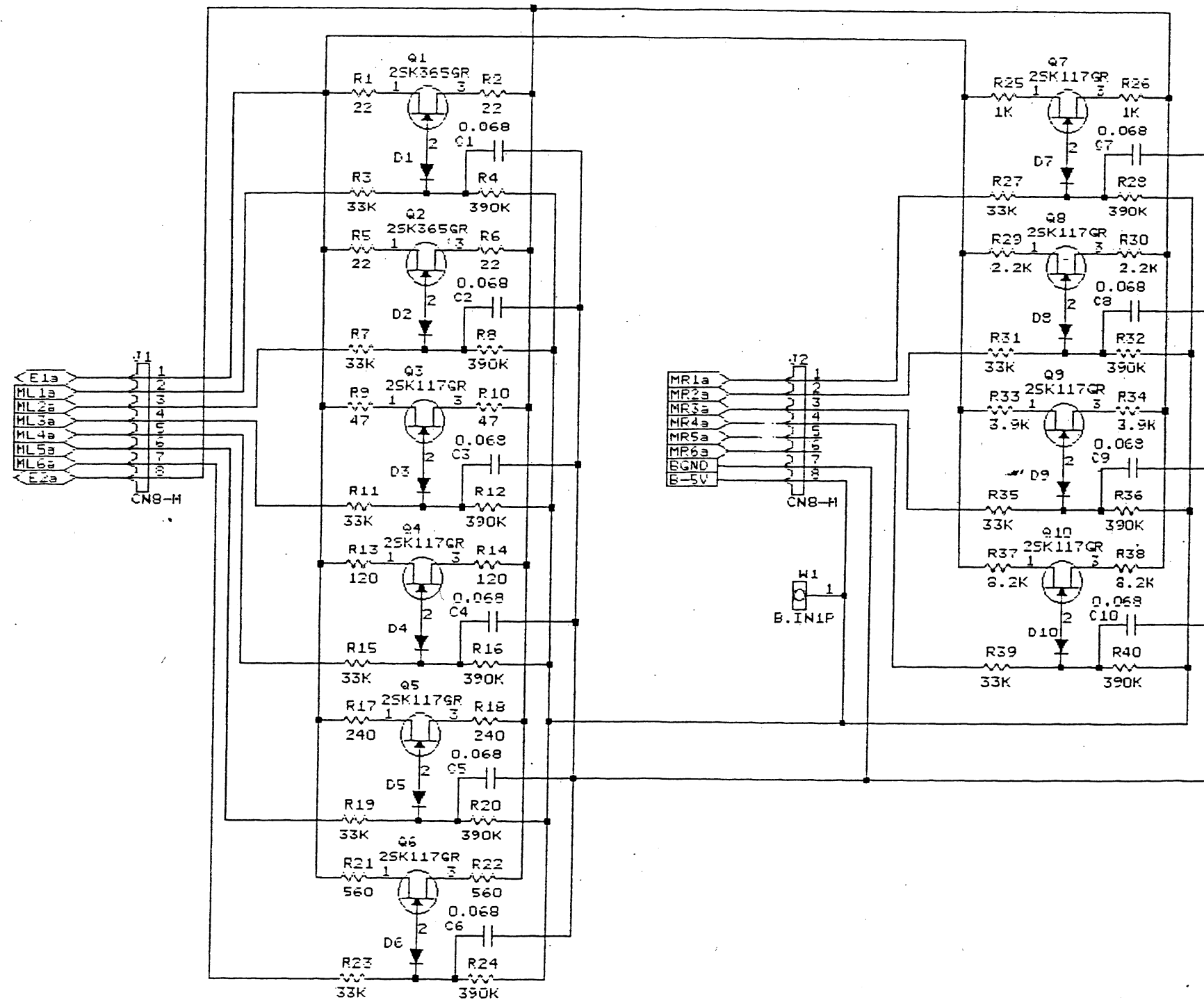


14-4



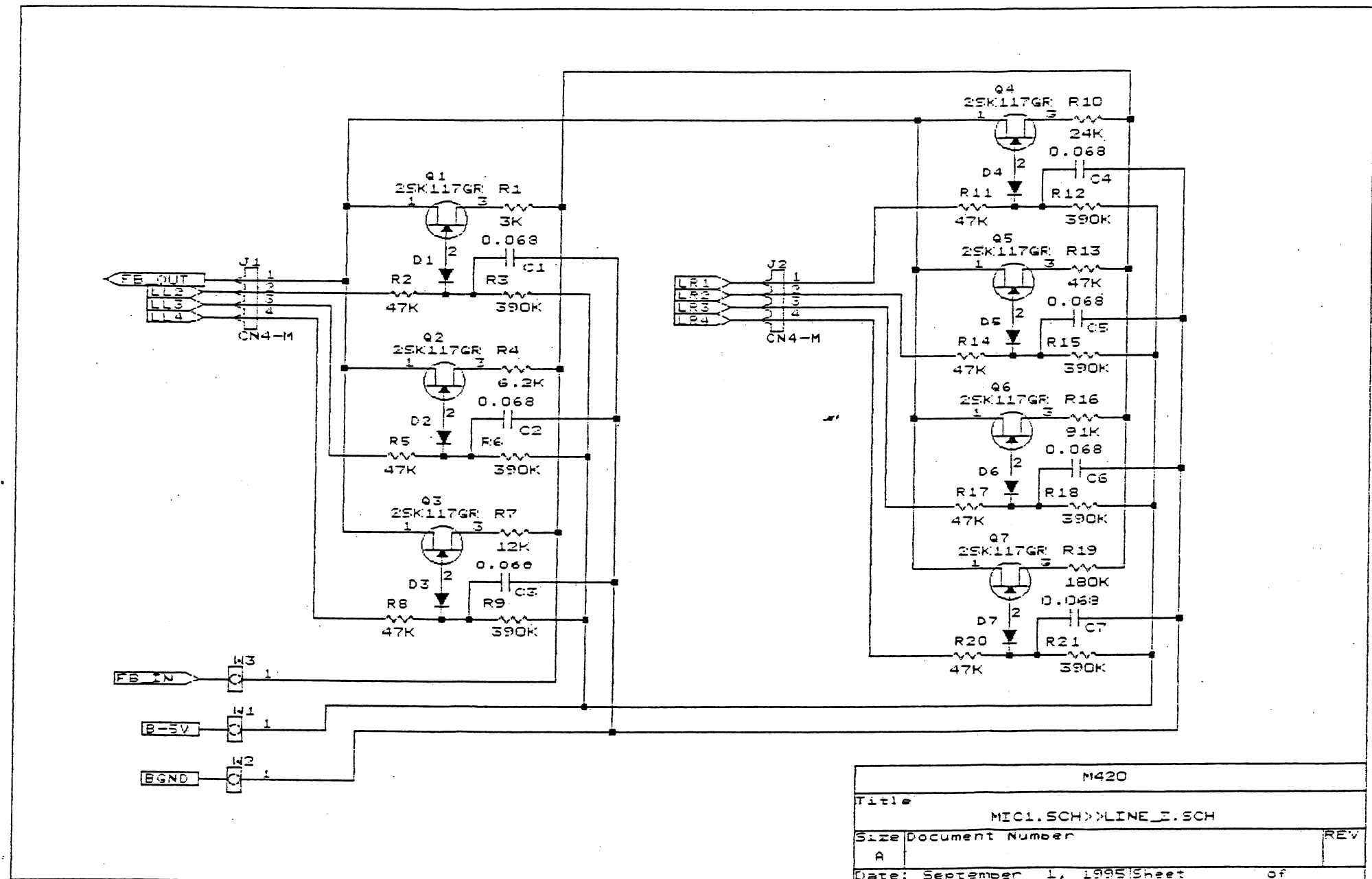
M420	
Title MIC.SCH>>EQ_FIL.SCH	
Size Document Number	REV
A	
Date: September 1, 1995 Sheet of	

A-5

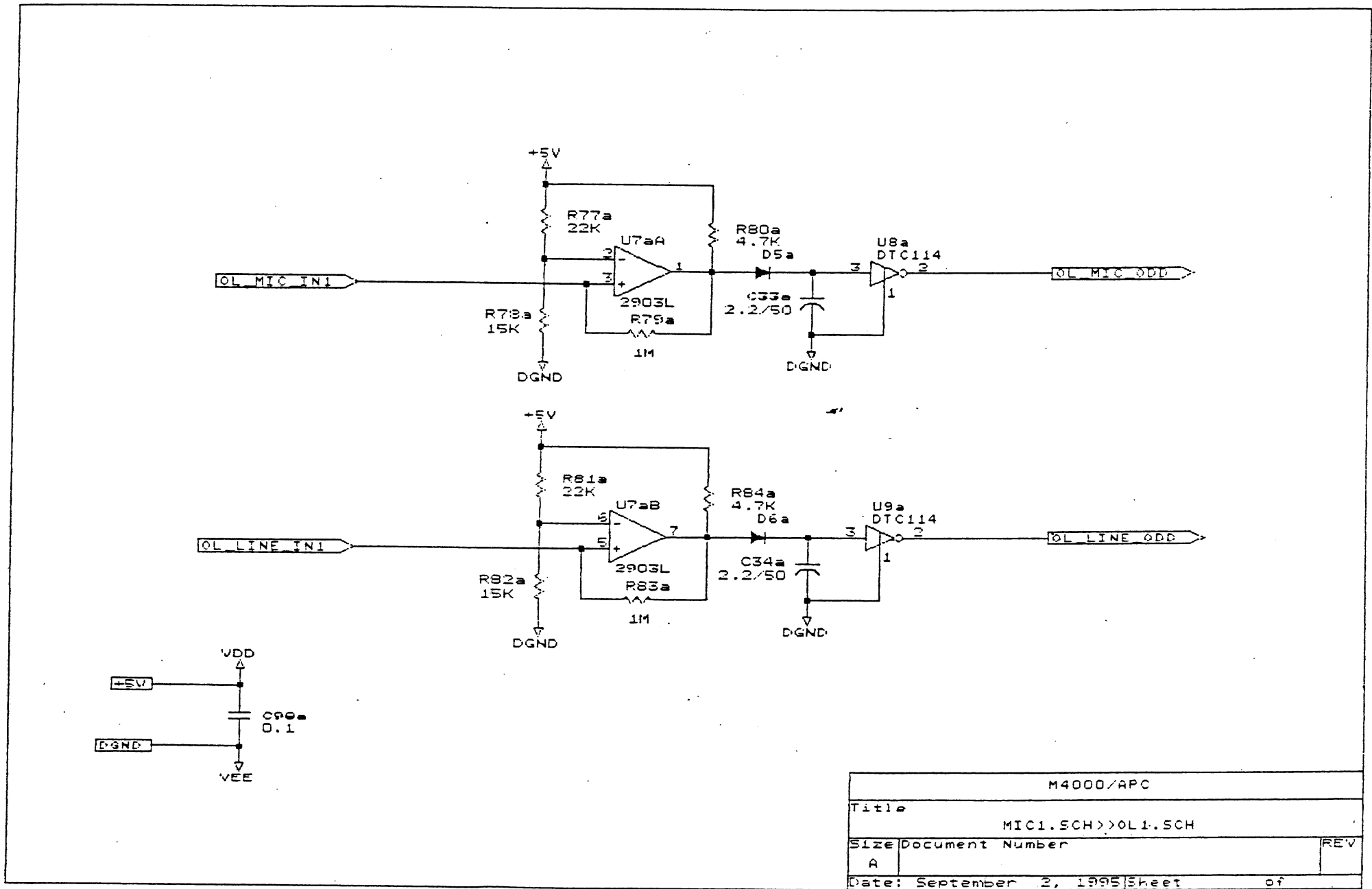


M4000	
Title	
MIC1.SCH>>MIC_Z1.SCH	
Size	Document Number
B	
Date: September 1, 1995	Sheet of

H-6

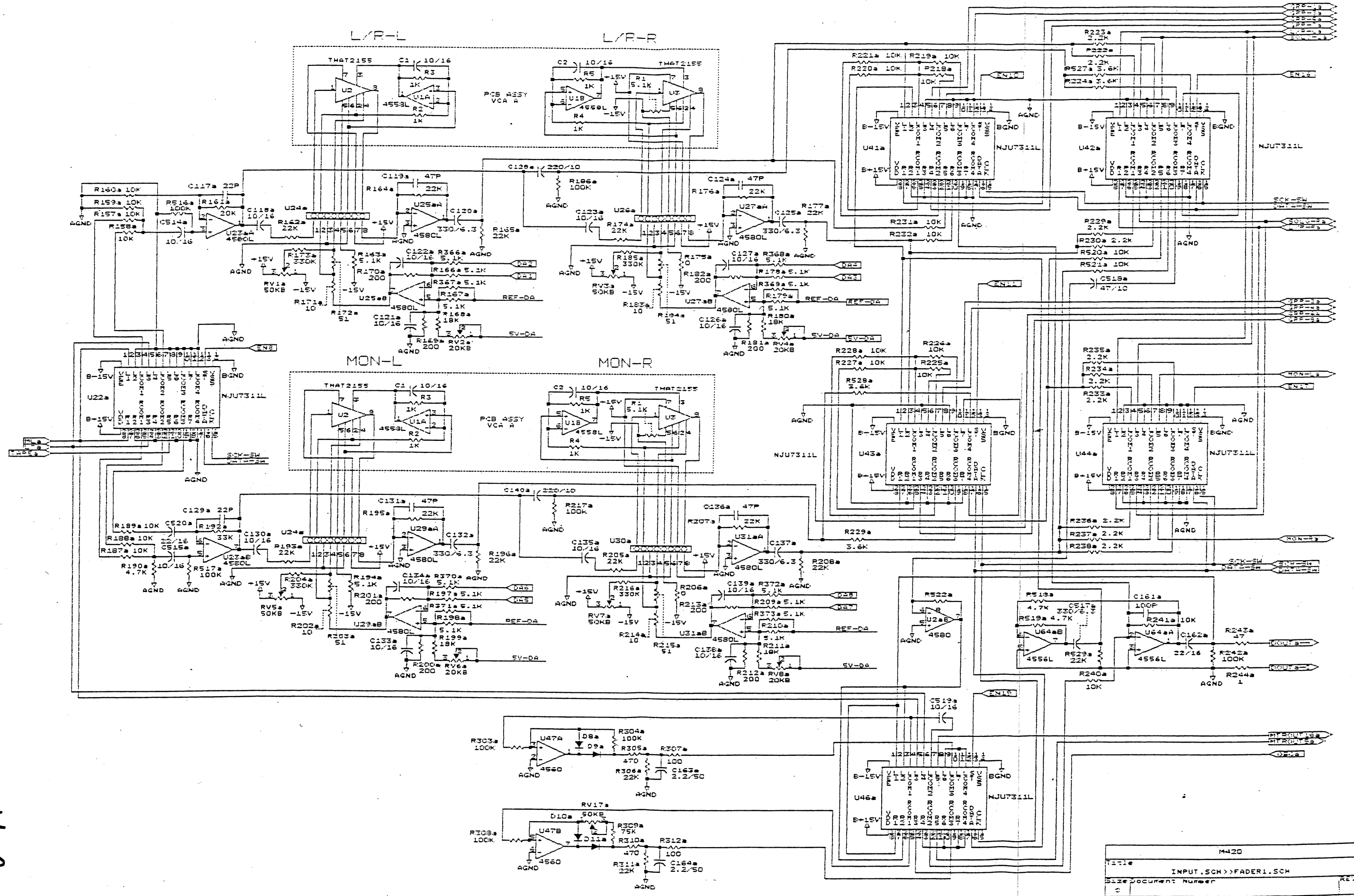


H-7

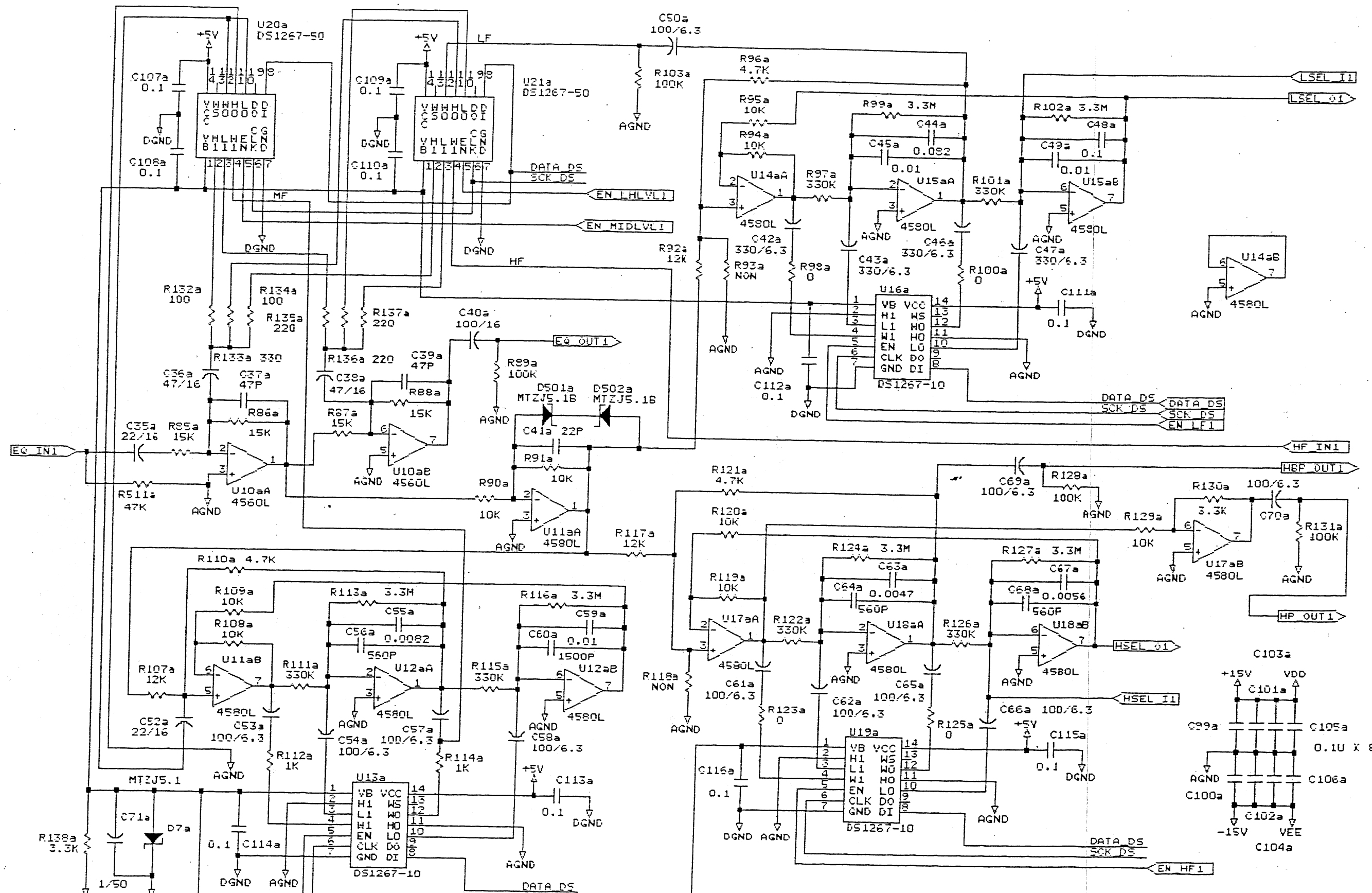


M4000/APC	
Title	
MIC1.SCH>>OL1.SCH	
Size	Document Number
A	
Date: September 2, 1995	Sheet of

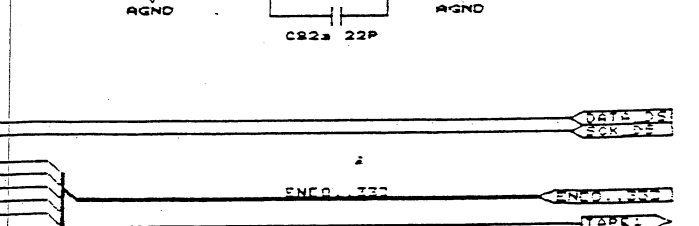
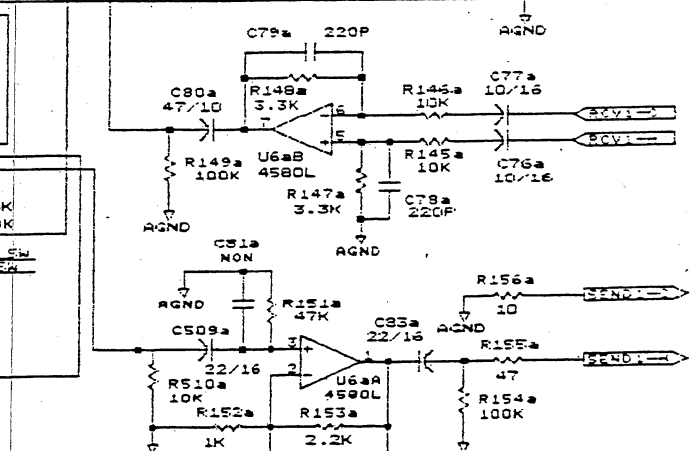
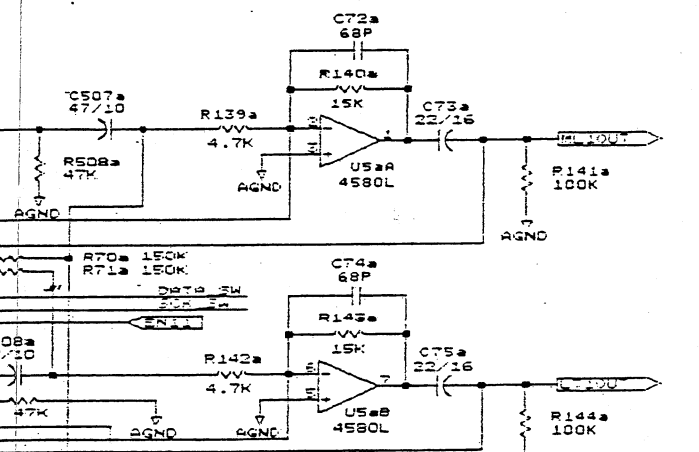
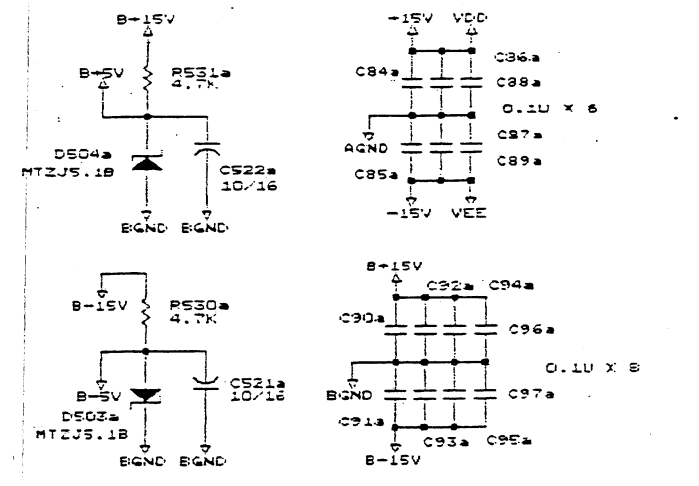
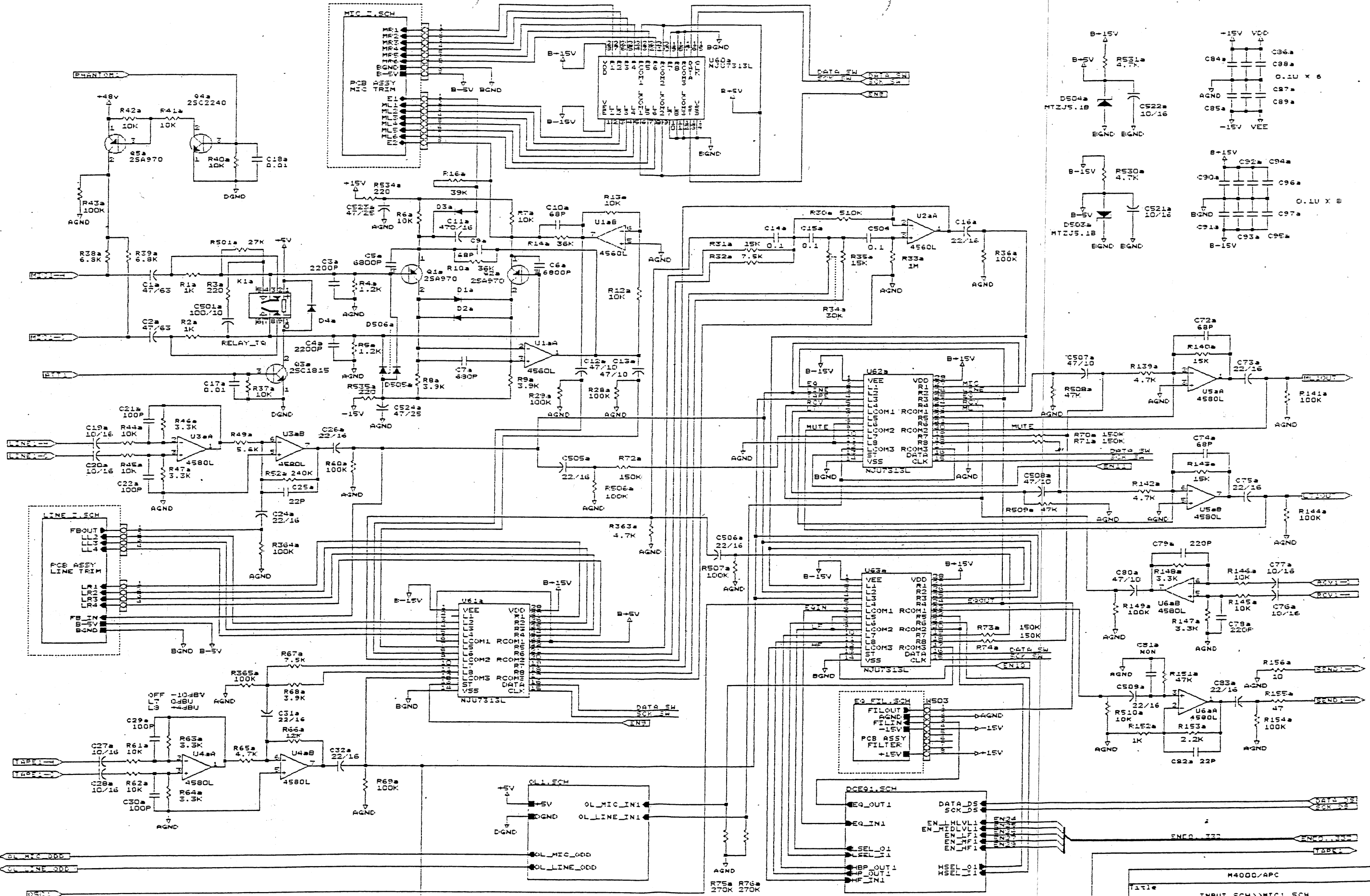
A-8



H-3

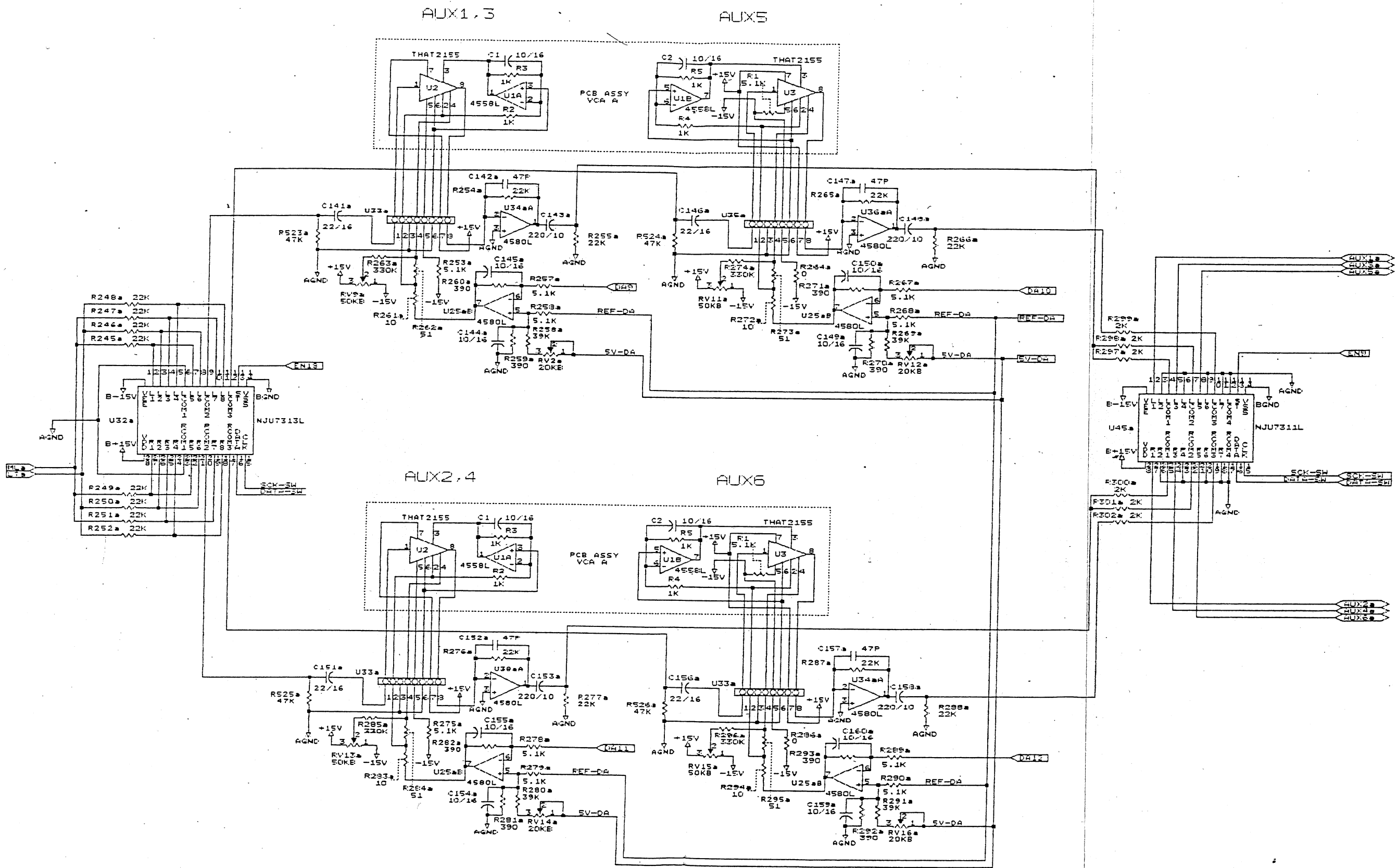


H4000	
Title	MIC1.SCH\>DCEQ1.SCH
Size Document Number	REV
B	
Date: September 1, 1995	Sheet of



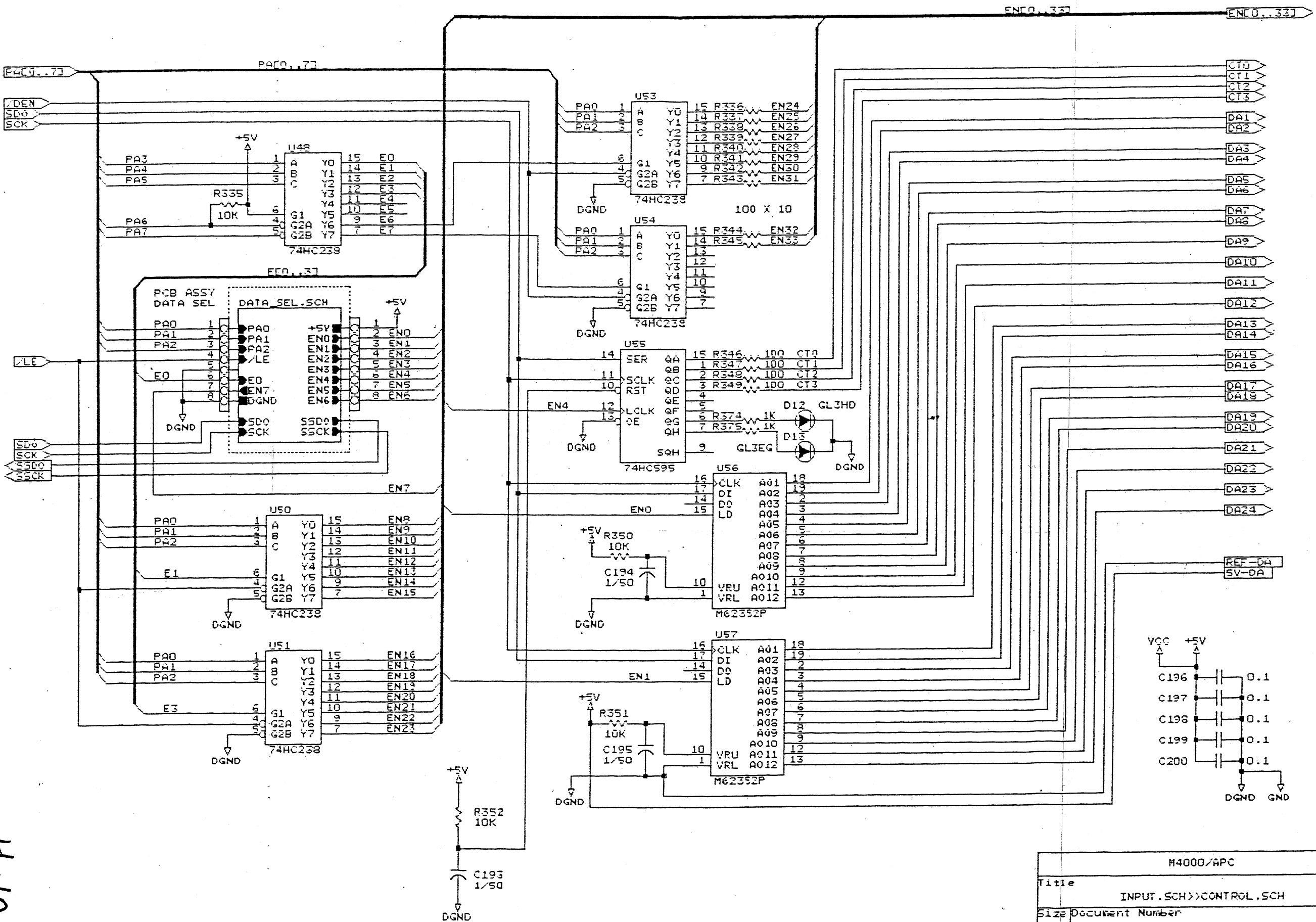
M4000/APC
 Title INPUT.SCH>>MIC1.SCH
 Size Document Number
 Date: September 2, 1985 sheet 01

A-2



6-H

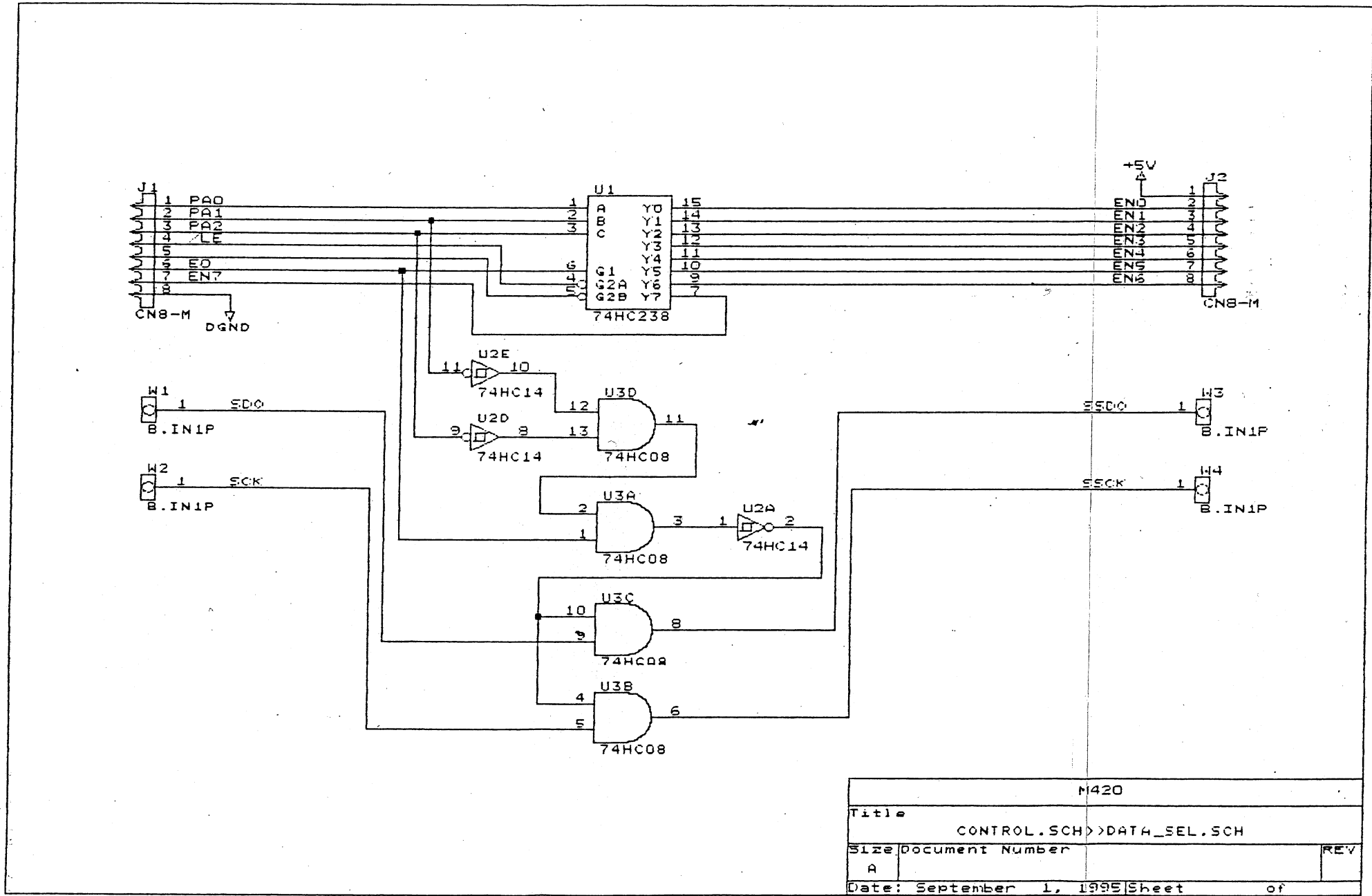
M420		
Title	INPUT.SCH>>AUX1.SCH	
Size	Document Number	REV
c		
Date:	September 2, 1995	Sheet 01



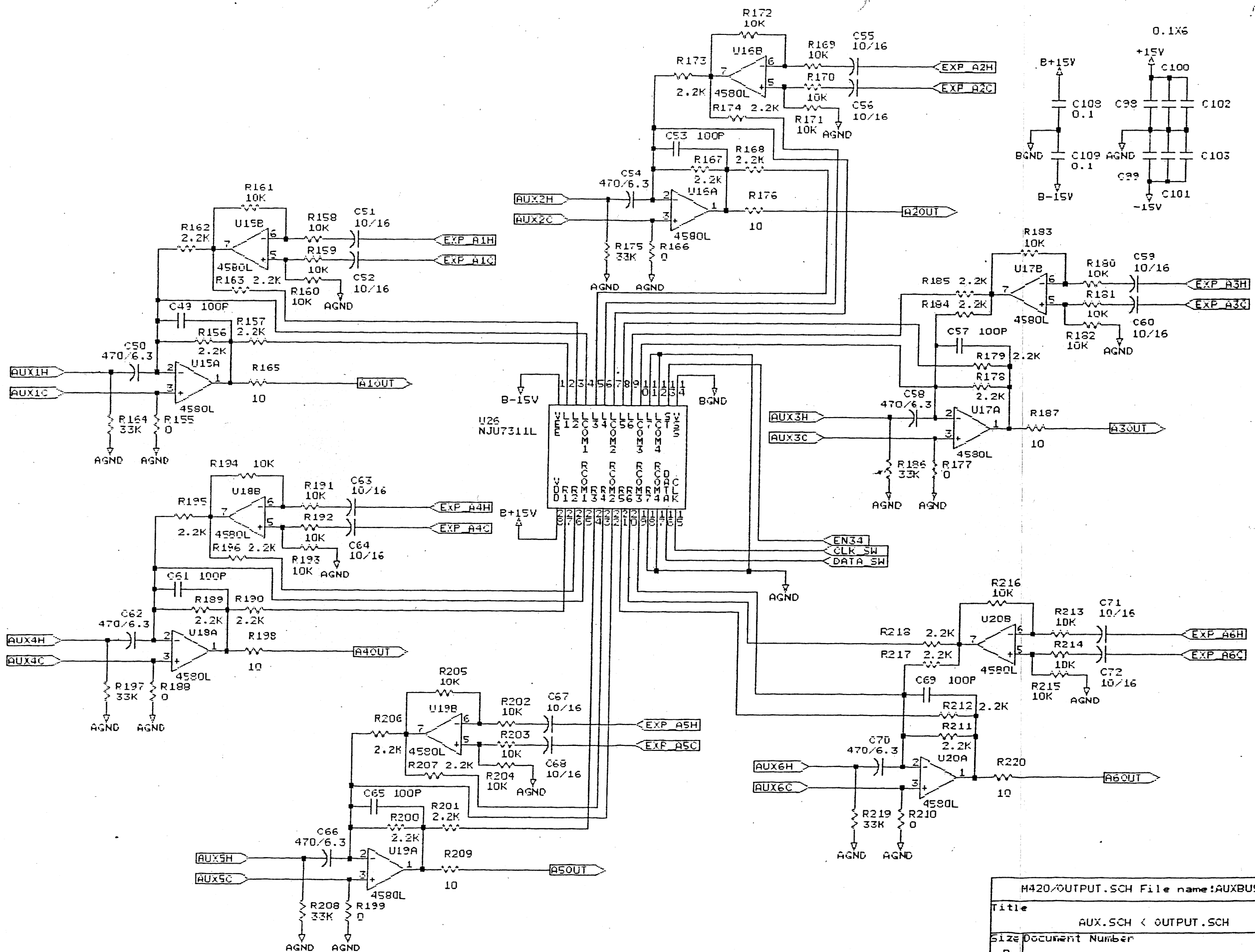
01-10

M4000/APC	
Title	INPUT.SCH>>CONTROL.SCH
Size Document Number	REV
E	
Date: September 1, 1995	Sheet of

11-11

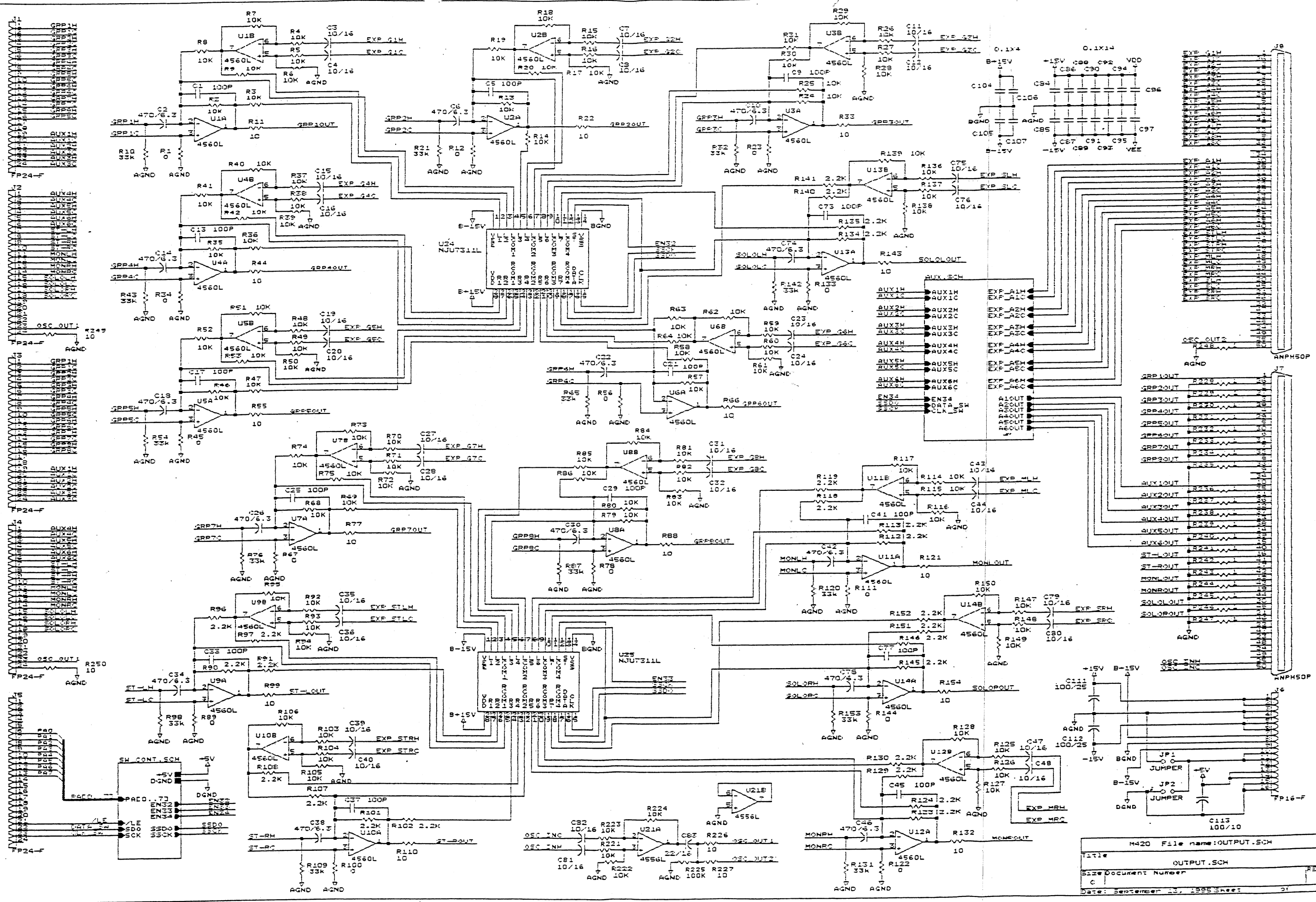


1-14

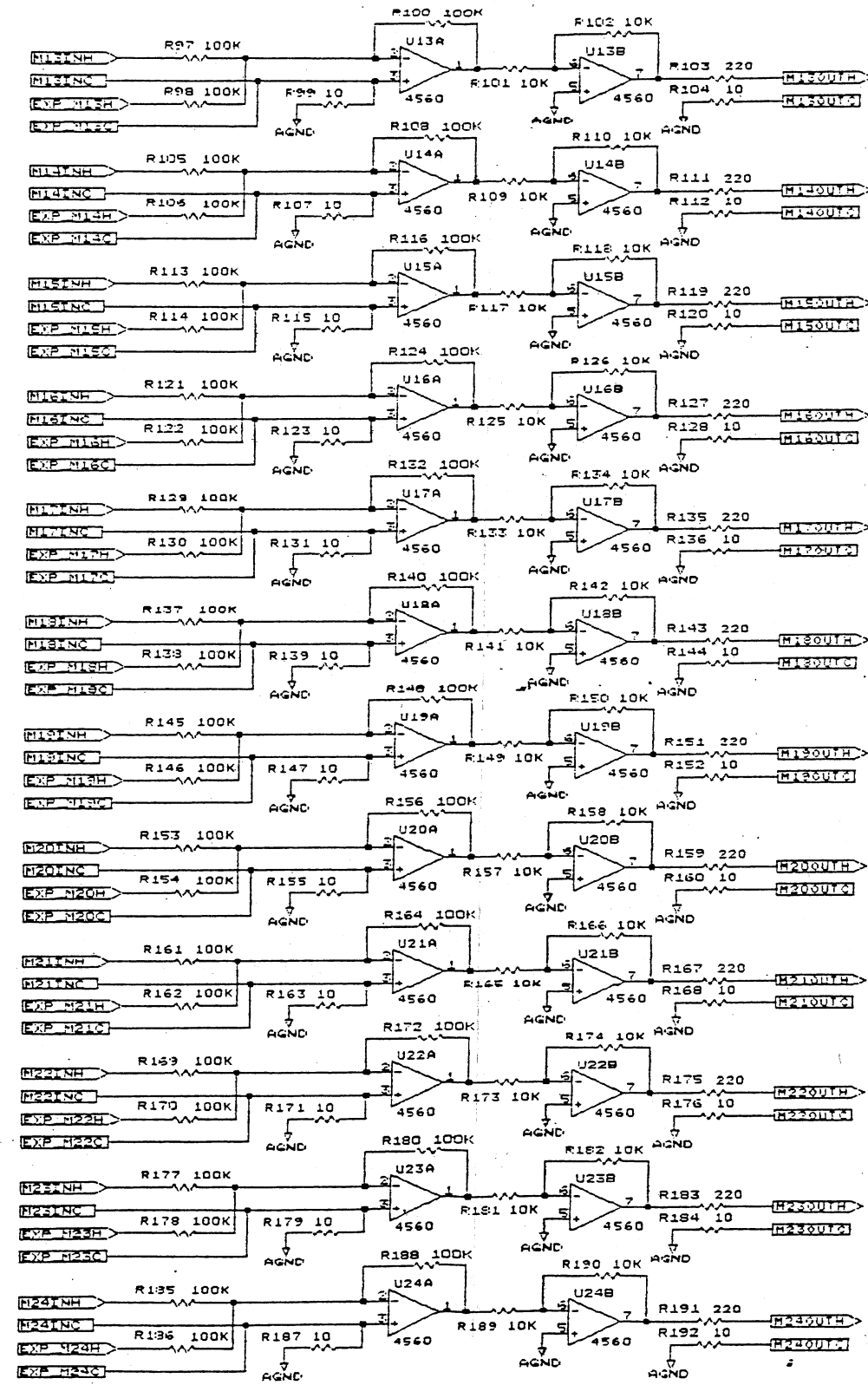
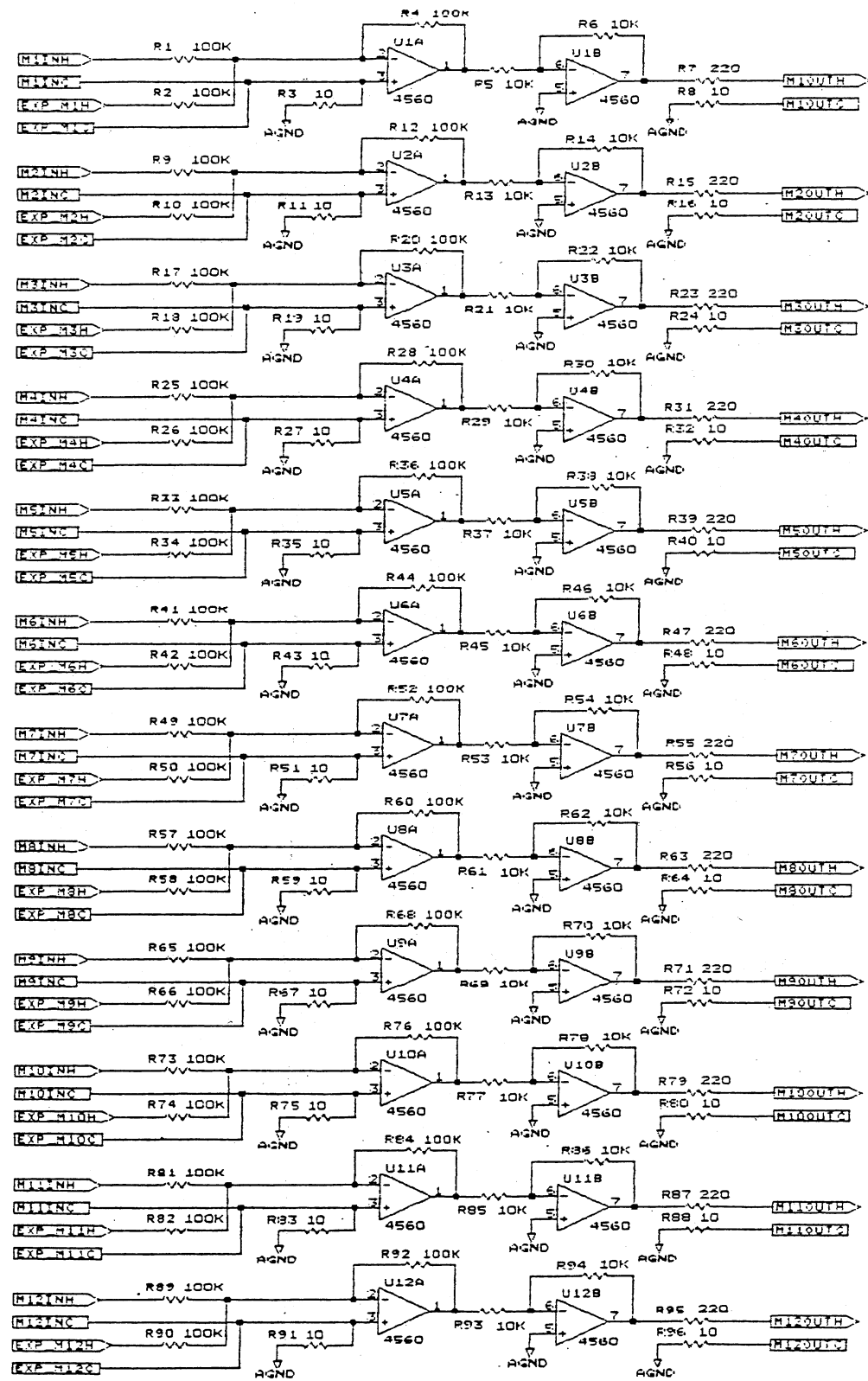


M420/OUTPUT.SCH File name:AUXBUS.SCH		
Title AUX.SCH < OUTPUT.SCH		
Size	Document Number	REV
B		
Date: September 13, 1995		Sheet of

H-15



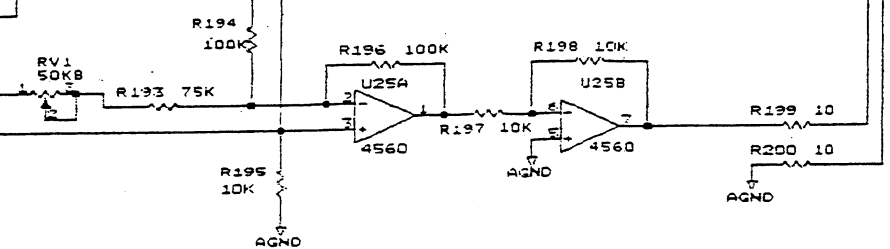
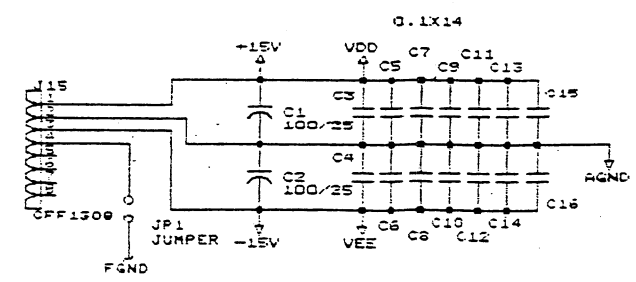
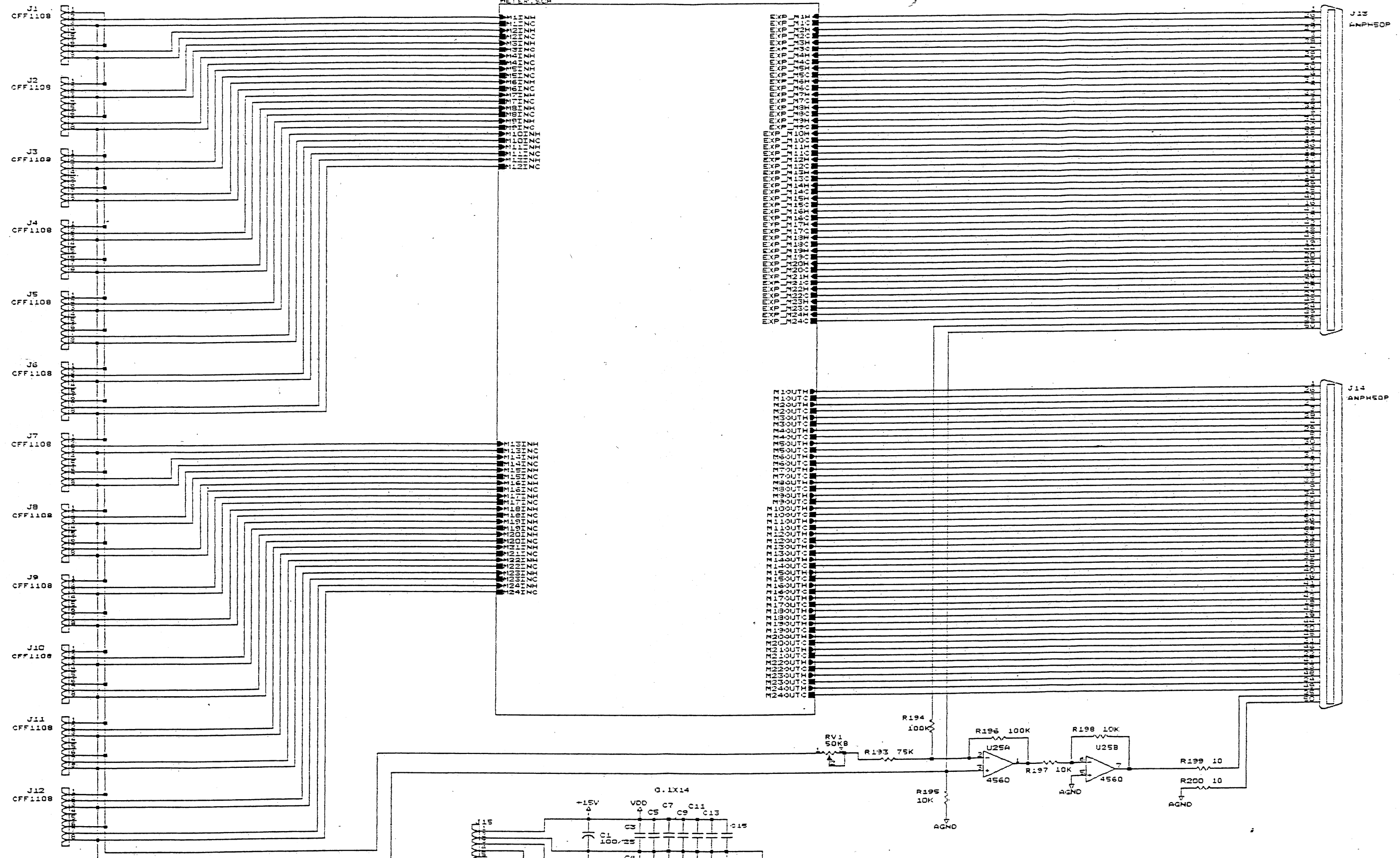
M420 File name: OUTPUT.SCH
Title OUTPUT.SCH
Size Document Number R2V
C
Date: September 15, 1995 Sheet 21



H-16

M420 File name: METER.SCH	
Title	METER.SCH < MTROUT.SCH
Size Document Number	
C	REV
Date: September 13, 1995	Sheet of

A-17



M420 File name: MTROUT.SCH	
Title	MTROUT.SCH
Size	Document Number
C	
Date	September 15, 1995 Sheet 01