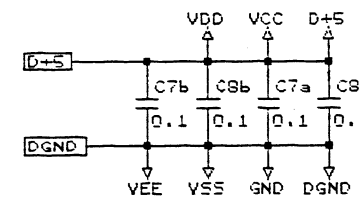
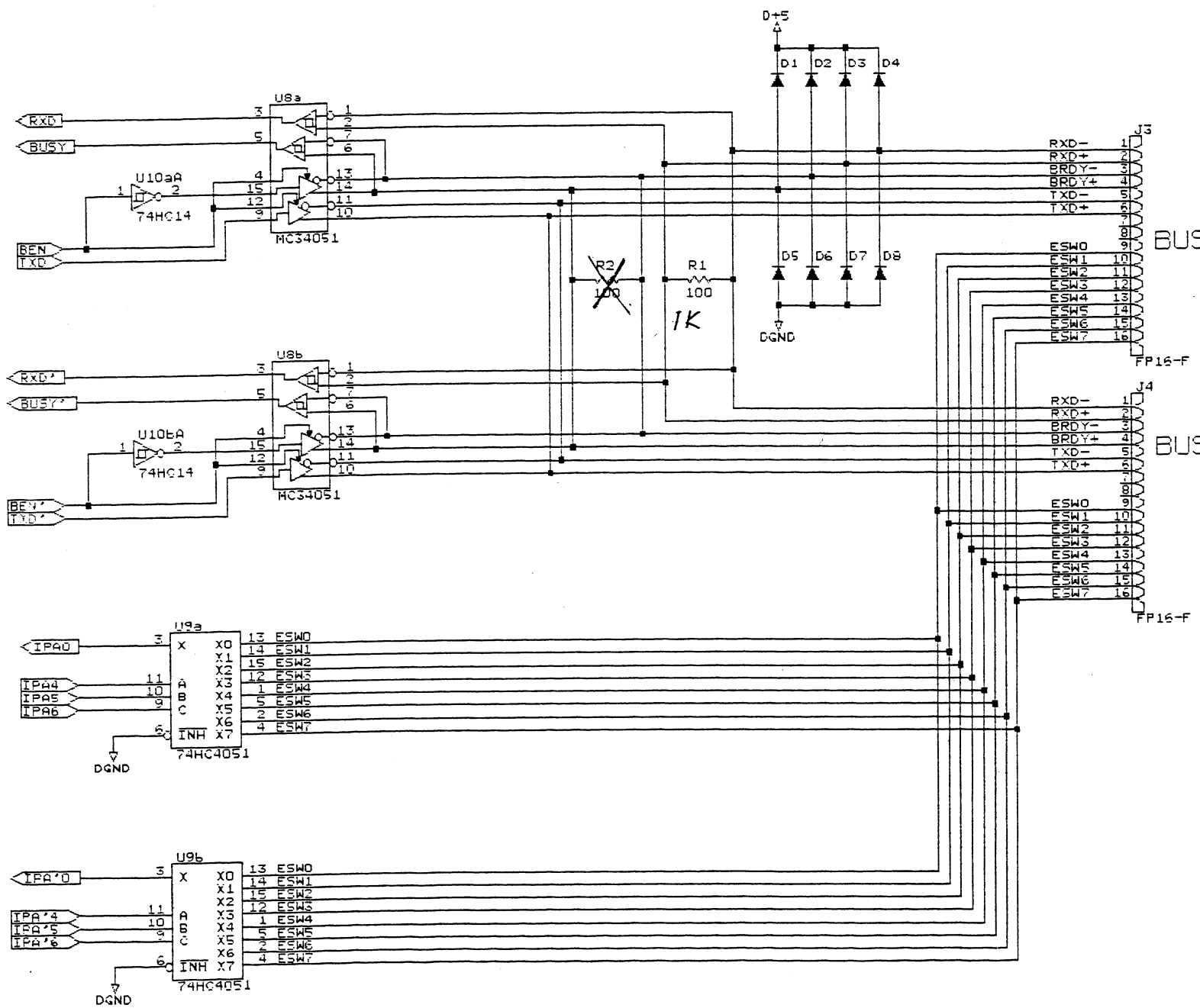


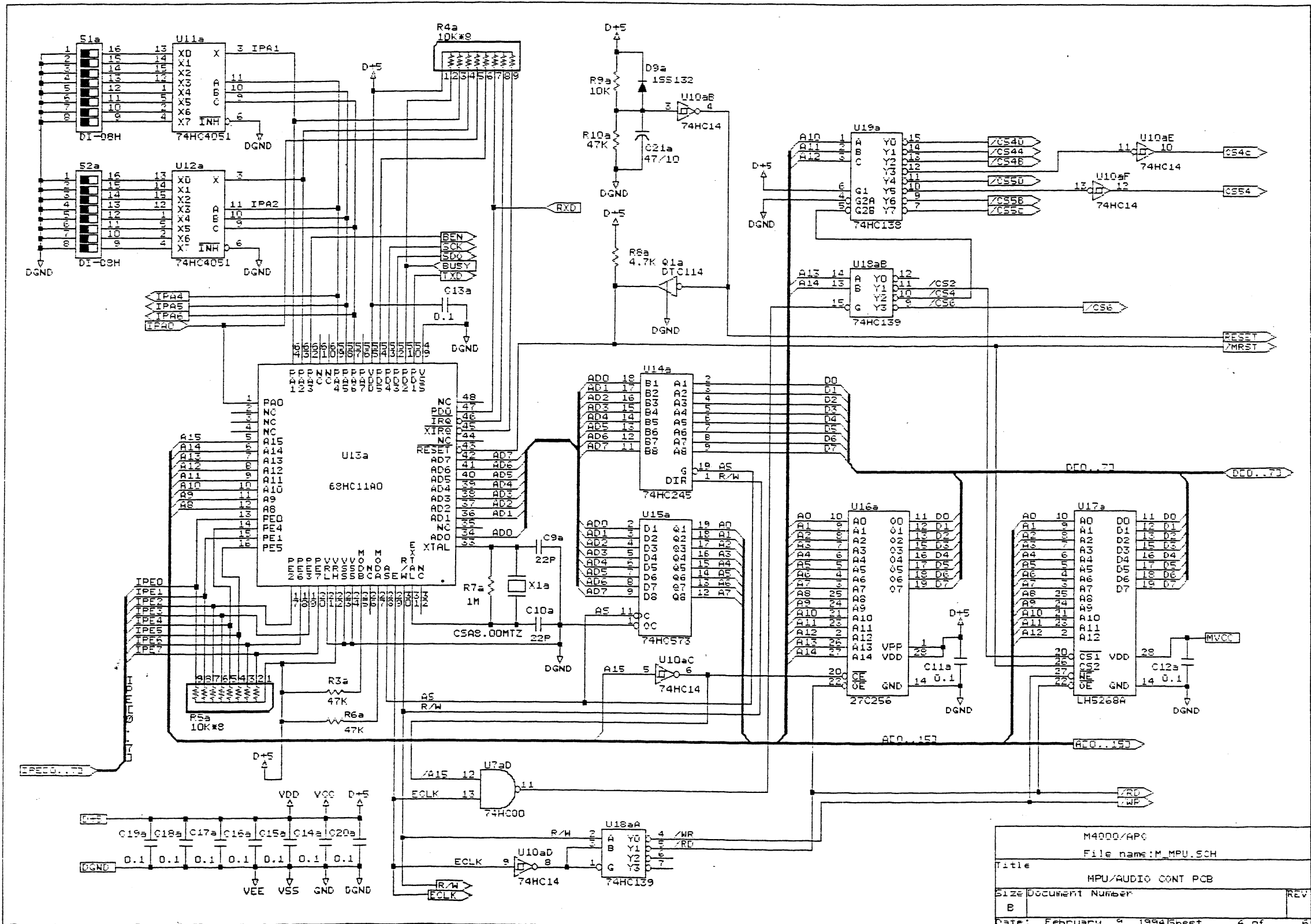
M4000 / APC	
File name: A_CONT.SCH	
Title	M4000 SUB CPU
Size	Document Number
B	REV
Date: February 9, 1994	Sheet 1 of 5

SUB CPU.

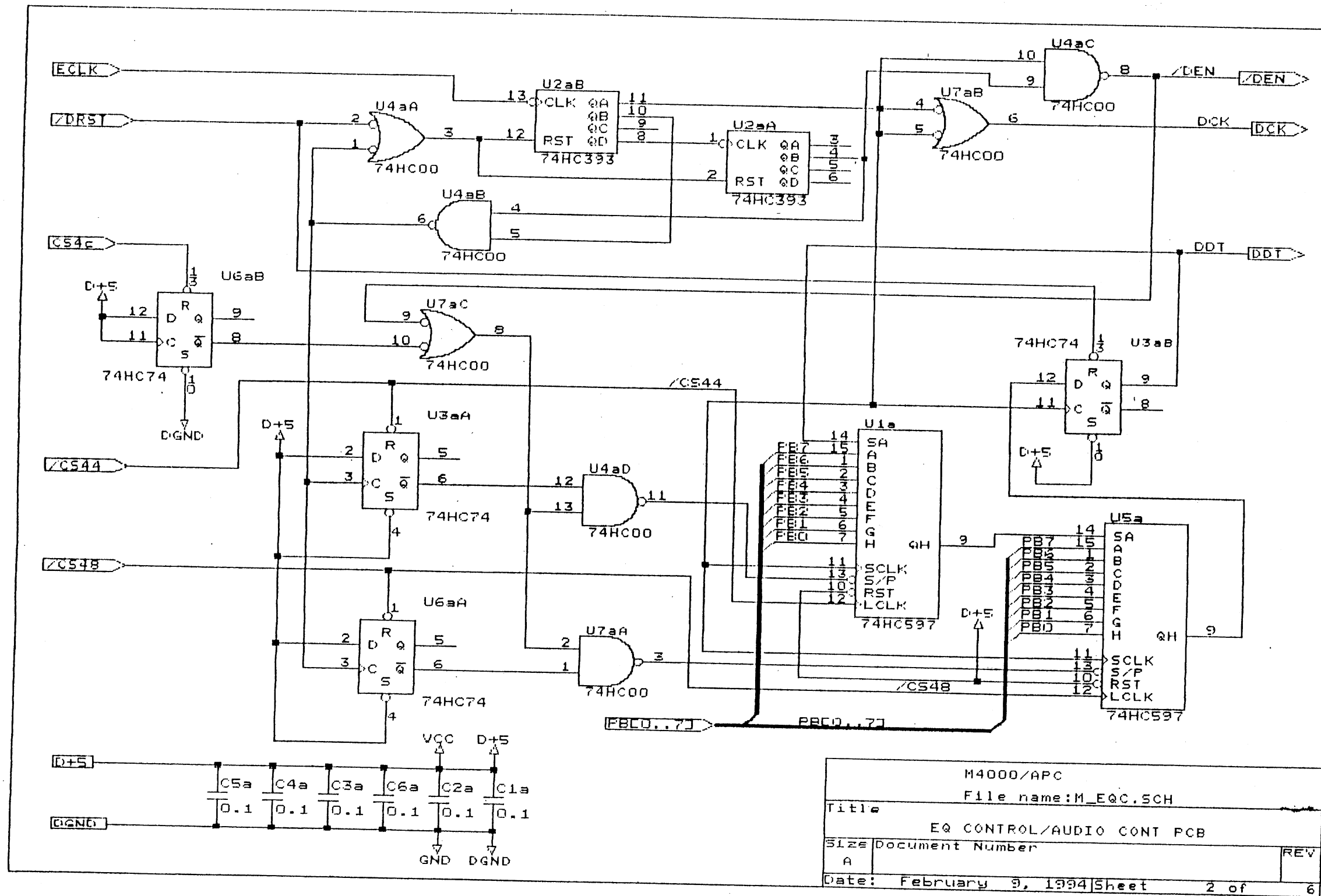


SUB CPO

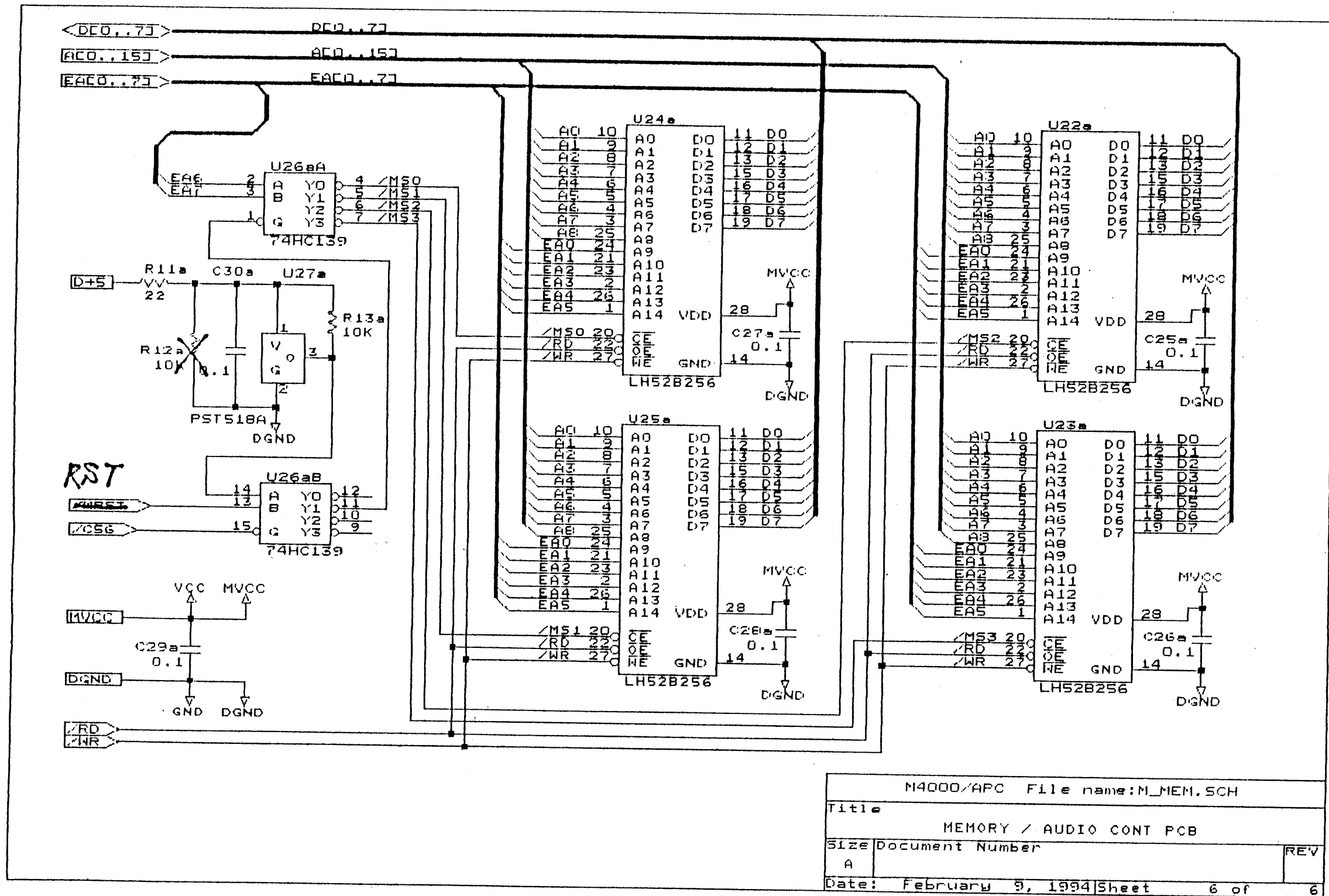
M4000/APC		
File name: M_BUS.SCH		
Title CONTROL BUS / AUDIO CONT PCB		
Size	Document Number	REV
B		
Date: February 9, 1994 Sheet 3 of 5		



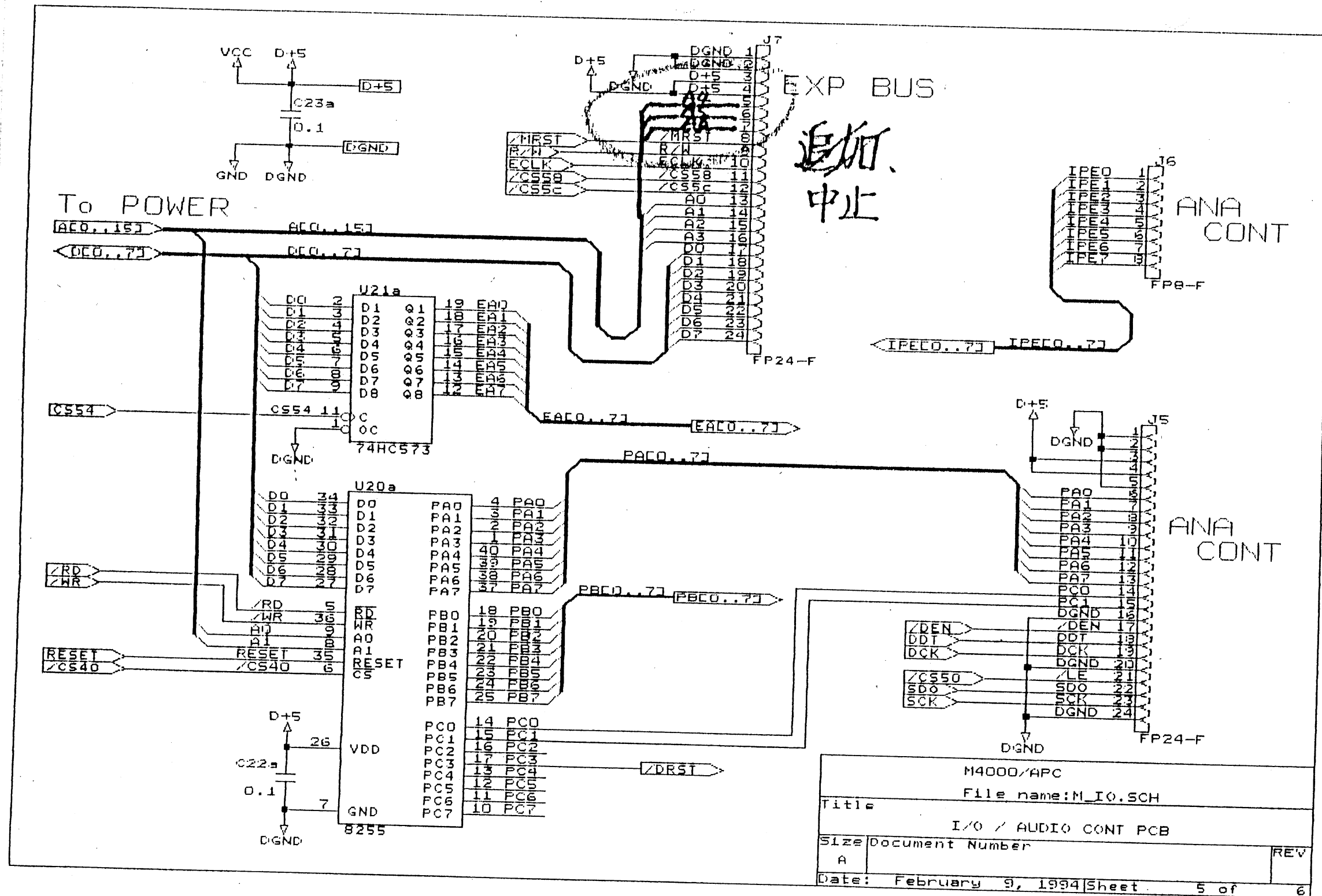
M4000/APC	
File name: M_MPU.SCH	
Title HPU/AUDIO CONT PCB	
Size Document Number	REV
B	
Date: February 9, 1994	Sheet 4 of 6

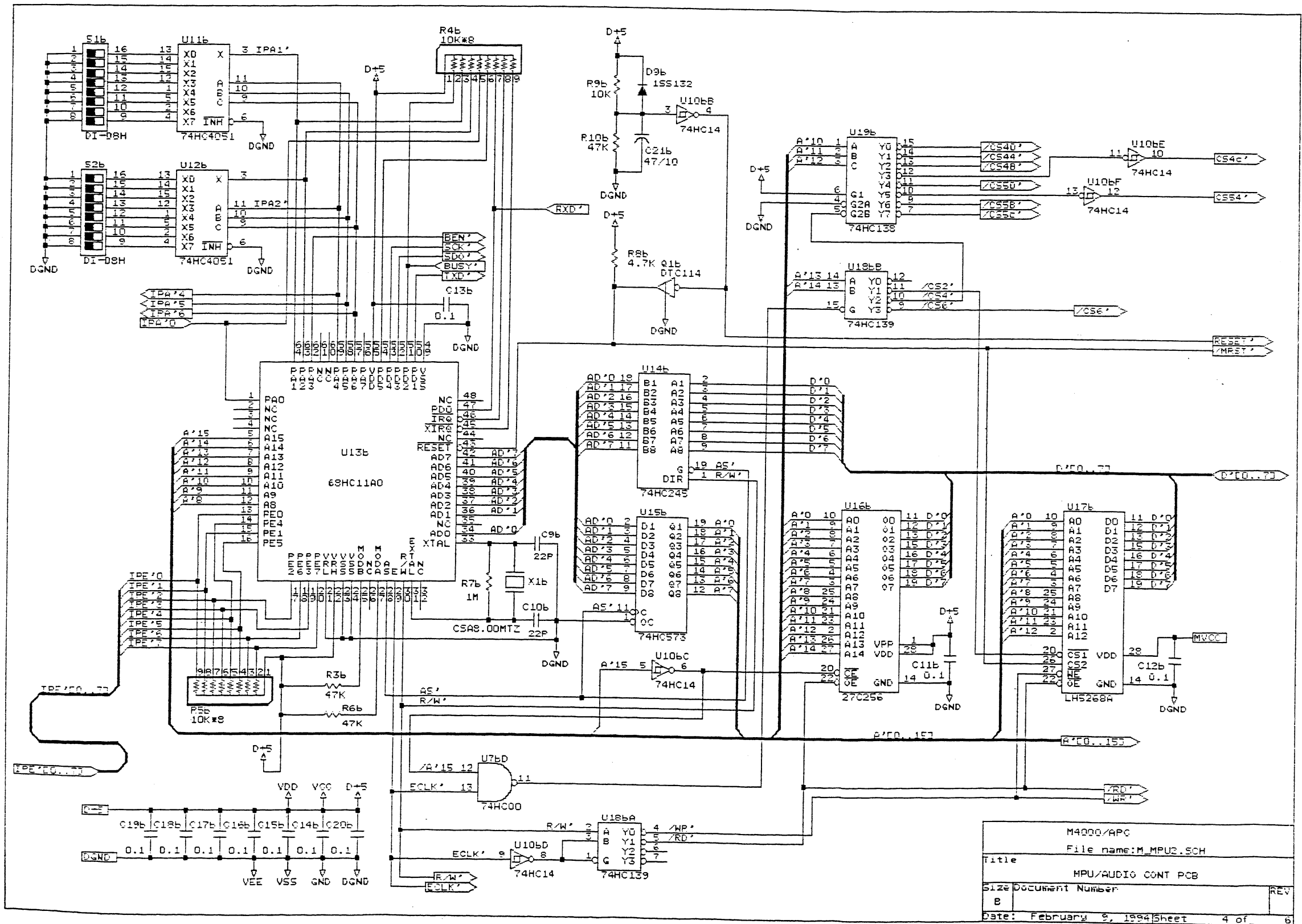


M4000/APC		
File name: M_EQC.SCH		
Title		
EQ CONTROL/AUDIO CONT PCB		
Size	Document Number	REV
A		
Date: February 9, 1994		Sheet 2 of 6

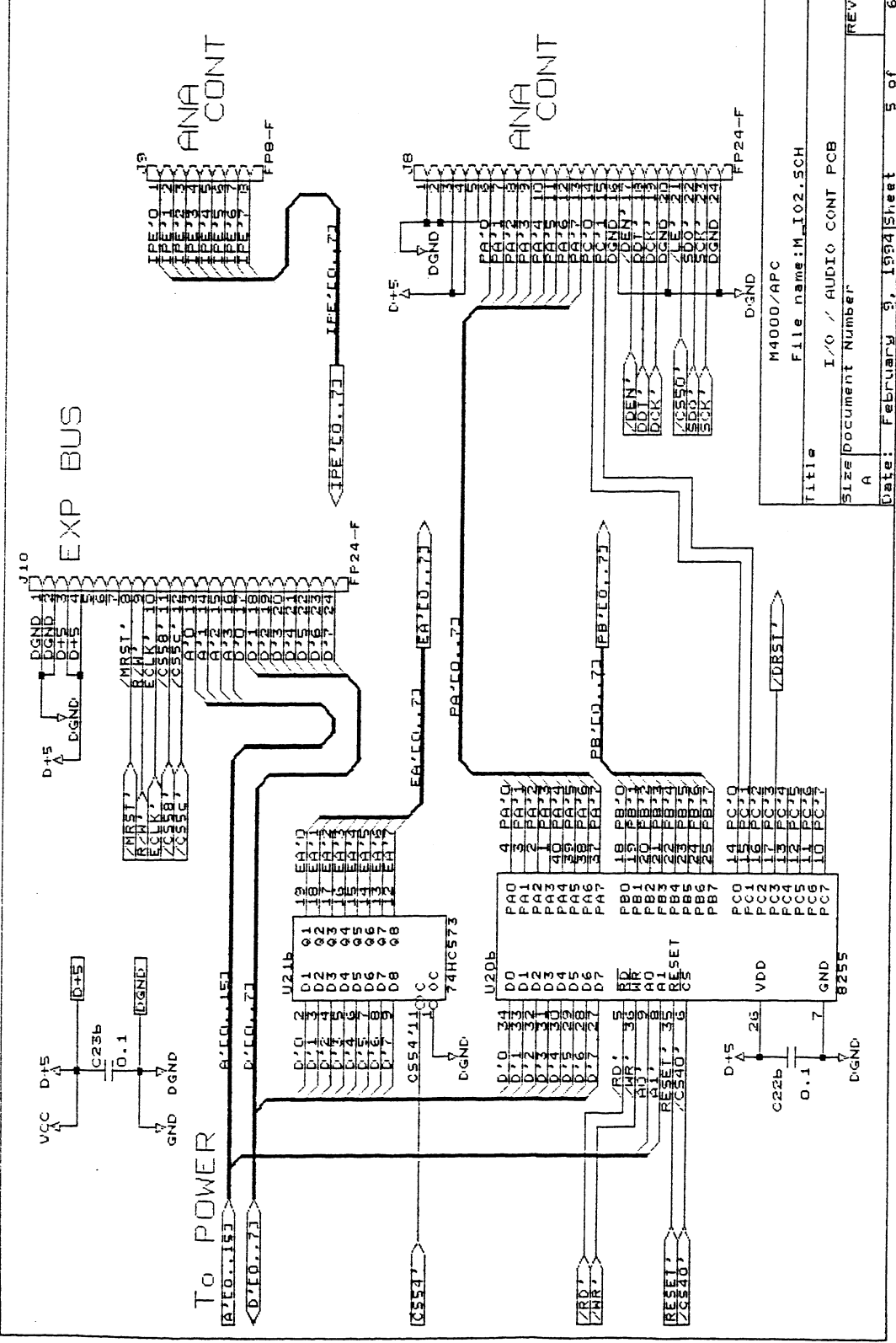


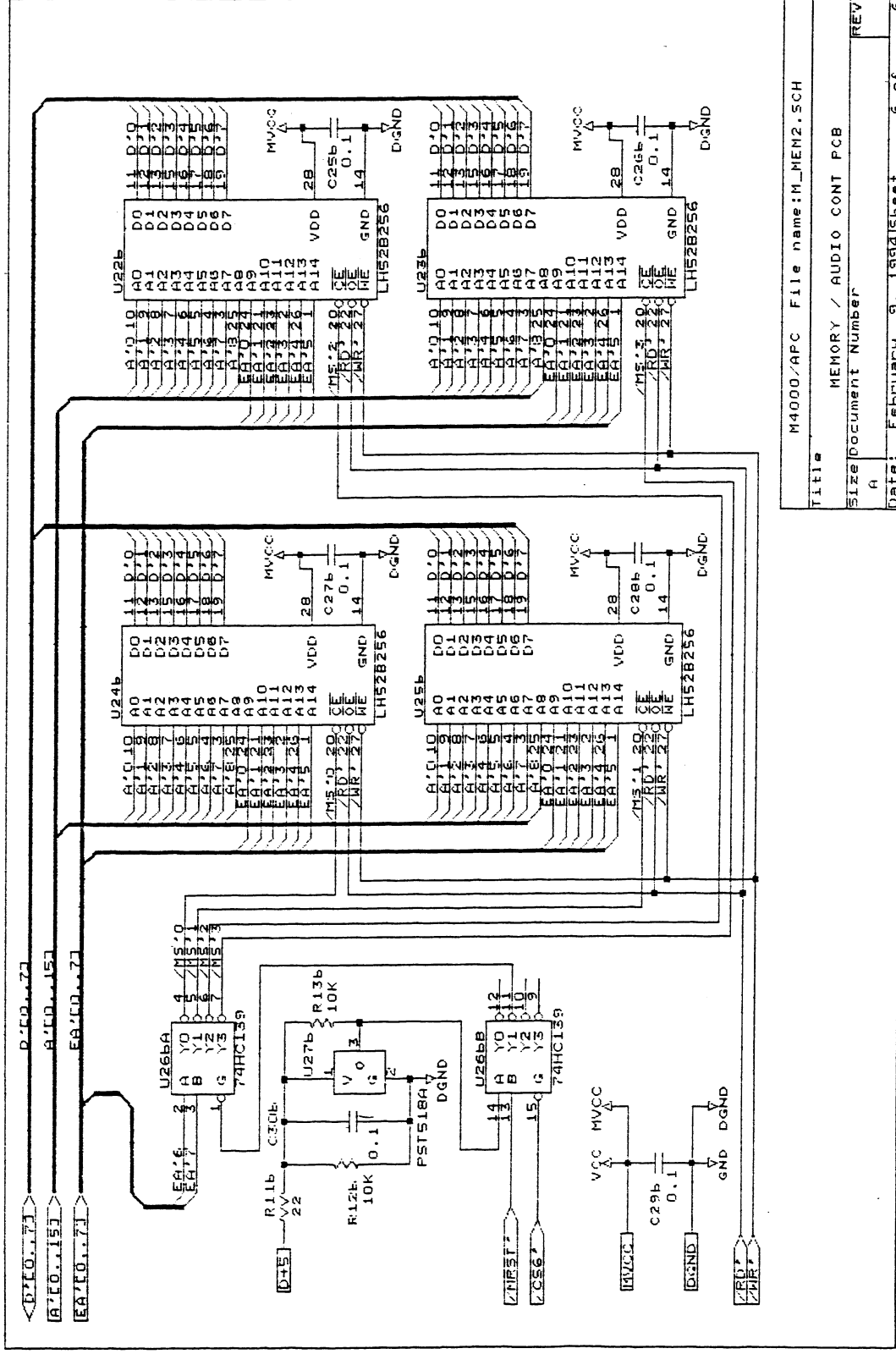
M4000/APC File name:M_MEM.SCH	
Title	
MEMORY / AUDIO CONT PCB	
Size Document Number	REV
A	
Date: February 9, 1994	Sheet 6 of 6





M4000/APC
 File name: M_MPU2.SCH
 Title
 MPU/AUDIO CONT PCB
 Size Document Number
 B
 Date: February 9, 1994 Sheet 4 of 6





Title: M4000/APC File name: M_MEN2.SCH

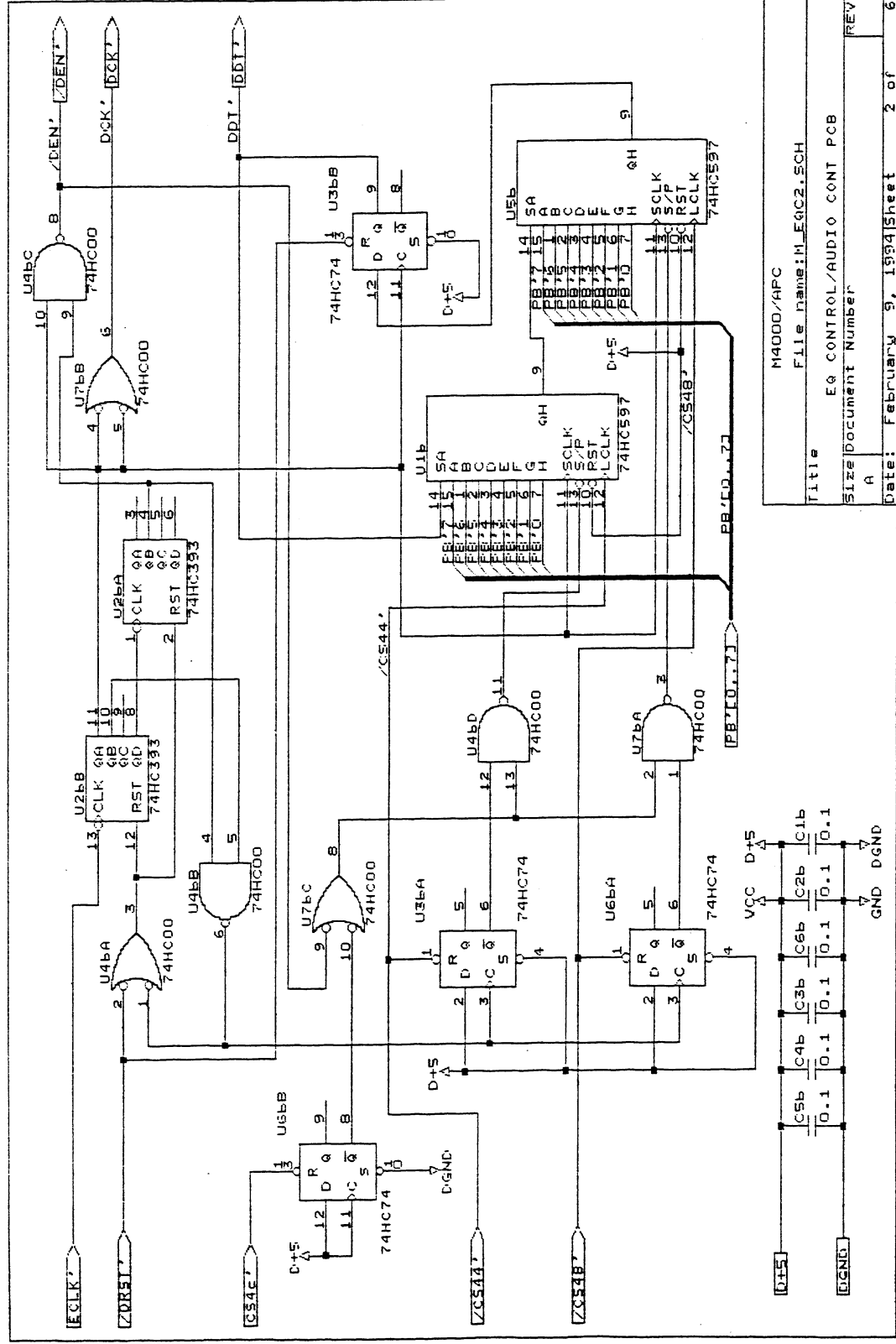
Size: MEMORY / AUDIO CONT PCB

Document Number: A

Date: February 9, 1994 Sheet 6 of 6

REV

6



M4000/APC
 File name: M_EG2.SCH
 Title: EG CONTROL/AUDIO CONT PCB
 Size: Document Number
 A
 Date: February 9, 1994 Sheet 2 of 6
 REV